

锰锌氧铁材料规格尺寸 Specification and Dimensions of MnZn Ferrite Material

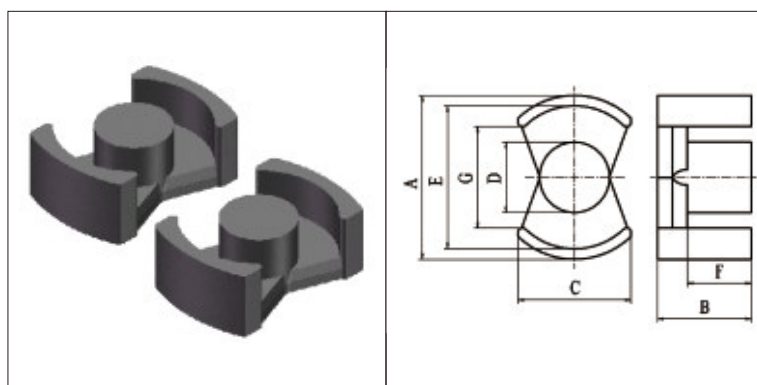


FIG.1

PM 型 / PM Core

型号 TYPE	图例 FIG.	尺寸 Dimensions (mm)						
		A	B	C	D	E	F	G
PM22.5/12.5/13A	1	22.5±0.4	6.25±0.15	13±0.3	8.4±0.2	18.3±0.4	3.55±0.15	15min
PM22.5/17.4/15	1	22.5±0.45	8.7±0.1	15±0.3	9.4+0.1/-0.2	18.55min	5.6+0.2/-0.1	13min
PM25/18B	1	25±0.4	9±0.2	14.35±0.25	9.7±0.2	19.9min	6±0.2	15.8min
PM26/12/16C	1	26±0.4	6.25±0.15	16.3±0.2	9.95±0.15	19.9min	3.2±0.15	16min
PM26/15/16B	1	26±0.4	7.6+0.18/-0	16.3±0.2	9.9±0.15	19.9min	4.65min	16min
PM26/18.6/16.3	1	26±0.4	9.3±0.15	16.3±0.2	9.9±0.15	19.9min	6±0.15	16min
PM26/18/16E	1	26±0.4	9.2±0.15	16.3±0.2	9.9±0.15	19.9min	5.9±0.15	16min
PM33.2/12.7/21.7A	1	33.2±0.4	6.35±0.15	21.7±0.3	13.4±0.2	26.9min	3.55±0.15	19.2min
PM33/18.4/21A	1	33±0.5	9.2±0.1	20.6±0.4	12.9+0.35/-0.25	25.4min	5±0.15	19min
PM39.8/12.7/28.3A	1	39.8±0.4	6.35±0.15	28.3±0.4	16±0.25	33.2±0.4	3.55±0.15	21.25+0.5/-0.4
PM49.2/38.8/36.5	1	50+0/-1.7	19.4±0.2	23max	20+0/-0.7	39+1.3/-0	13.1+0.5/-0	23.4min
PM49.2/40/36.5	1	50+0/-1.7	20±0.2	23max	20+0/-0.7	39+1.3/-0	13.7+0.5/-0	23.4min
PM61/48.8A	1	61±1	24.4±0.25		25+0.3/-0.5	48.9min	16.9±0.25	29.6min
PM62/46	1	62+0/-2	23±0.15	28.5max	25.5+0/-0.8	48.8+1.5/-0	15.4±0.2	29min
PM62/47	1	62+0/-2	23.5±0.2	28.5±0.5	25.5+0/-0.8	48.8+1.5/-0	16.2±0.25	30min
PM62/49C	1	62+0/-2	24.5+0/-0.2	29max	25.5+0/-0.8	48.8+1.5/-0	16.7+0.4/-0	

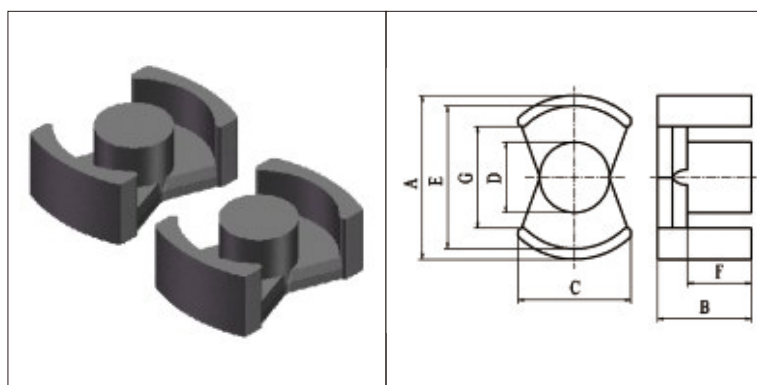


FIG.1

PM 型 / PM Core

型号 TYPE	图例 FIG.	参数 Parameters				AL(Ref)*		重量(Ref) g /PRS
		C1	Ae	Le	Ve	TP4A	TPW33	
PM22.5/12.5/13A	1	0.57	58.90	33.72	1986.10	3520	4300	9.95
PM22.5/17.4/15	1	0.57	69.70	40.00	3385.00	3400	4200	17.57
PM25/18B	1	0.60	69.74	42.07	2933.90	3000	3700	15.23
PM26/12/16C	1	0.43	85.28	36.62	3123.06	4300	5400	16.21
PM26/15/16B	1	0.49	77.00	37.87	2916.00	4200	5200	15.13
PM26/18.6/16.3	1	0.50	92.92	46.70	4339.40	3600	4500	22.52
PM26/18/16E	1	0.46	94.96	43.46	4126.60	3800	4700	21.41
PM33.2/12.7/21.7A	1	0.27	126.05	33.92	4275.60	7500	9170	25.18
PM33/18.4/21A	1	0.29	152.52	43.67	6661.00	6500	8100	34.57
PM39.8/12.7/28.3A	1	0.28	186.20	52.20	9719.60	8140	10250	36.74
PM49.2/38.8/36.5	1	0.24	353.6	86.1	30445			160
PM49.2/40/36.5	1	0.25	357.1	87.9	31389.1			166
PM61/48.8A	1	0.22	537	115.6	62077.2			280
PM62/46	1	0.17	616.78	104.27	64309.8			334
PM62/47	1	0.21	550.75	116.9	64384.3			350
PM62/49C	1	0.19	570	109	62000			280

*-Al为磁心对应参考值,具体规格以双方签订承诺书为准; AL测试条件:1kHz 0.3V 10Ts; AL单位:nH/N²

*-图例仅展示产品形状,具体细节以实物或以双方签订承诺书为准。